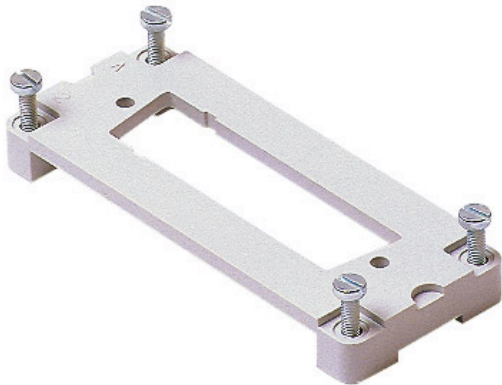


Part number

# CR 37 AD1



## Brief description:

plates for D-SUB (IEC 60807-2) CH / MH enclosures , for 1 D-SUB insert 37 poles (not included)

### Product description

|                     |   |
|---------------------|---|
| <b>Series</b>       | adaptor plates                                    |
| <b>Product type</b> | plates for D-SUB (IEC 60807-2) CH / MH enclosures |
| <b>Style</b>        | for 1 D-SUB insert 37 poles (not included)        |
| <b>Family</b>       | accessories for multipole connectors              |

### Further technical details

|               |         |
|---------------|---------|
| <b>Weight</b> | 13,00 g |
|---------------|---------|

### Approvals / Standards

#### Conformity

### General ordering information

|                      |               |
|----------------------|---------------|
| <b>EAN13 code</b>    | 8015747037808 |
| <b>Tariff number</b> | 85369095      |

### Packaging Information

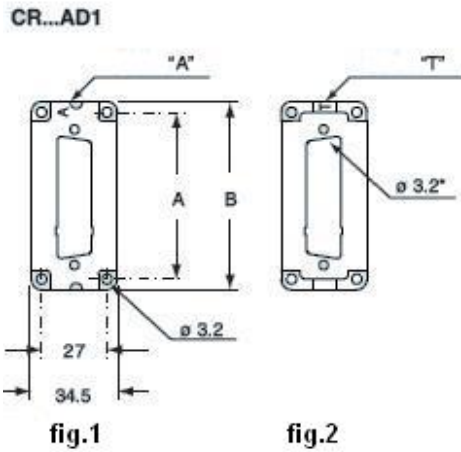
|                                  |               |
|----------------------------------|---------------|
| <b>Sub-packaging weight</b>      | 0,13 kg       |
| <b>Sub-packaging description</b> | Carton Box    |
| <b>Sub-packaging quantity</b>    | 10 Pcs        |
| <b>Sub-packaging EAN barcode</b> | 8015747037815 |

Part number

# CR 37 AD1



## Catalogue drawings



## Notes

The electrical continuity is guaranteed only if mounted in our enclosures.

Plates CR..AD, CR..AD1 and CR..AD2

For machinery or command equipment that need connection with programming and control electronic devices. The plate housings have notches for the rear insertion of cabled D-SUB inserts.

CR..AD

mounting on bulkhead housings and hoods one-way mounting in bulkhead housings or hoods.

CR..AD1 and CR..AD2

mounting on bulkhead housings (Figure 1) The D-SUB connector must be mounted on the side marked with the letter "A"  
mounting on hoods (Figure 2) The D-SUB connector must be mounted on the side marked with the letter "T"

